

VOILÀ D60 H110

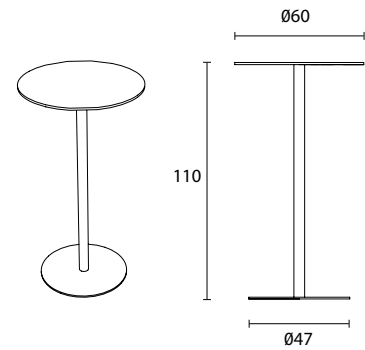
designed by Area Declic Design

Perfetto per tutte le esigenze. Tavolo a colonna, con basamento di acciaio. Il piano è in laminato stratificato HPL (metodo ad alta pressione) o ALU (con anime di alluminio "annegate" prima della policondensazione). Disponibile in vari colori e abbinamenti di finiture.

Perfect for every requirement. Table with column and steel base. The top is in stratified laminate HPL (by high pressure method) or ALU (with aluminium sheets inserted between its construction layers before poly-condensation). Available in various colours and finishes.



Art. 629



HPL HPL

Alluminio P93 Aluminium P93

Antracite P106 Anthracite P106

Rovere moka P104 Oak moka P104

Bianco P107 White P107

Nero P118 Black P118

ALU ALU

Bianco P84 White P84

Antracite P85 Anthracite P85

Alluminio P86 Aluminium P86

Peso collo: 20 kg  
Volume: 0,06 m<sup>3</sup>  
Peso netto: 18 kg  
Pezzi per scatola: 1  
Colli: 3

Disassemblato

**Finiture e colori:**

piano in laminato stratificato HPL bianco P107, antracite P106, nero P118, alluminio P93, rovere moka P104 o ALU bianco P84, antracite P85, alluminio P86.

**Struttura:**

basamento in inox satinato e montante centrale in acciaio cromato S1; basamento e montante centrale in acciaio verniciato bianco S26, nero S24 o alluminio S14.

Box weight: 20 kg

Volume: 0,06 m<sup>3</sup>

Net weight: 18 kg

Pcs per box: 1

Boxes: 3

Disassembled

**Finishes and colours:**

top in laminated layered HPL white P107, anthracite P106, black P118, aluminium P93, oak moka P104 or ALU white P84, anthracite P85, aluminium P86.

**Frame:**

round base in satinated stainless steel finishing and central leg in steel chromed S1; base and central leg in steel painted black S24, white S26 or aluminium S14.